

ACCESS PANEL



Standard Access Panel



Standard Access Panels

Characteristics: Non-fire rated standard aluminum access panel frames are electrostatic powder coated white, with MR Grade Gypsum board facing, Providing easy access to gypsum ceilings. Each panel features a push-catch closing mechanism, with door retaining safety cable and hook. Applications Suitable for applications where access to services above gypsum ceiling are specified.

NO	SIZE	CODE
1	200X200	RFAP2020PCMR
2	300X300	RFAP3030PCMR
3	450X450	RFAP4545PCMR
4	600X600	RFAP6060PCMR
5	600X900	RFAP6090PCMR
6	600X1200	RFAP60120PCMR

Installation: (guide present with every package)

- 1.Remove the door from the frame, Draw around the access panel inner rim where the aperture is required ,Install the frame in to the aperture.
- 2.Fix securely using 25mm Good quality Drywall, Screws and refit the door to check operation and then remove to allow for finishing.
- 3.Finish with Gypsum Tapes and Gypsum Jointing ,Compound around the fitted frame, Refit door once decorated.
- 4.Ensure all jointing material has been removed from the frame and door edge as this will affect the door's operation
- 5.Ensure access panel doors are removed prior to installation of the frame Secure & the door in place with the hook and cable after installation

CUSTOMISED SIZES CAN BE MADE ON REQUEST WITH A LEAD TIME

Medium Framed Access Panel



Medium frame Access Panels

Characteristics: Non-fire rated Medium Framed aluminum access panel frames are electrostatic powder coated white, with MR Grade Gypsum board facing, Providing easy access to gypsum ceilings. Each panel features a push-catch closing mechanism, with door retaining safety cable and hook. Applications Suitable for applications where access to services above gypsum ceiling are

NO	SIZE	CODE
1	600X1200	MFAP60120PCMR
2	1000X1200	MFAP100120PCMR
3	1000X1500	MFAP100150PCMR
4	1200X1200	MFAP120120PCMR
5	1200X1500	MFAP120150PCMR
6	1200X1800	MFAP120180PCMR

CUSTOMISED SIZES CAN BE MADE ON REQUEST WITH A LEAD TIME

Plain access panel



Plain Access Panels



Characteristics: Non-fire rated Plain aluminum access panel frames are electrostatic powder coated white, with Regular Grade Gypsum board facing, Providing easy access to gypsum ceilings. Each panel features a push-catch closing mechanism, with door retaining safety cable and hook. Applications Suitable for applications where access to services above gypsum ceiling are specified.

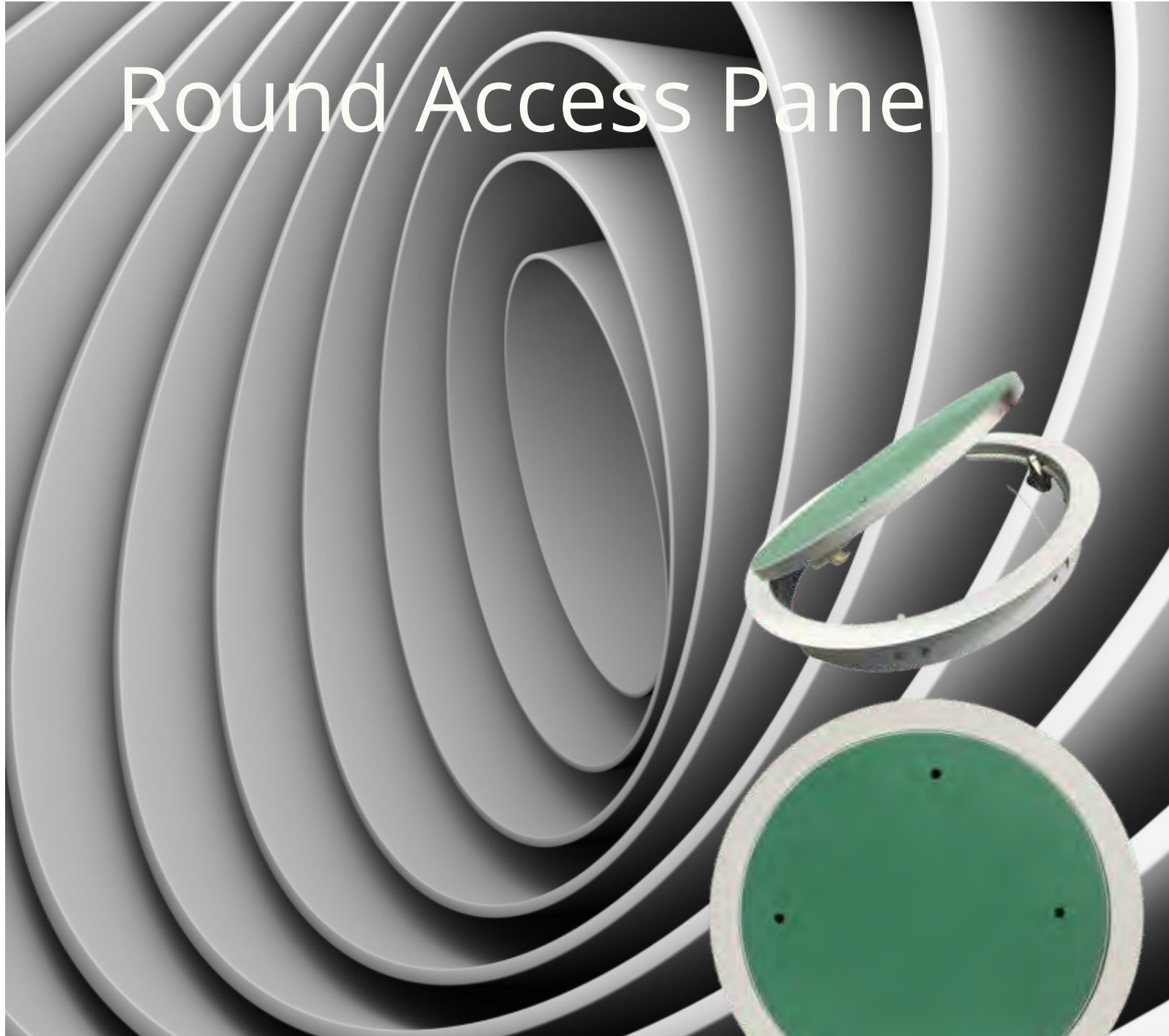
NO	SIZE	CODE
1	200X200	RFAP2020PCRG
2	300X300	RFAP3030PCRG
3	450X450	RFAP4545PCRG
4	600X 600	RFAP6060PCRG
5	600X900	RFAP6090PCRG
6	600X1200	RFAP60120PCRG

Installation:(guide present with every package)

- 1.Remove the door from the frame, Draw around the access panel inner rim where the aperture is required ,Install the frame in to the aperture.
- 2.Fix securely using 25mm Good quality Drywall, Screws and refit the door to check operation and then remove to allow for finishing.
- 3.Finish with Gypsum Tapes and Gypsum Jointing ,Compound around the fitted frame, Refit door once decorated.
- 4.Ensure all jointing material has been removed from the frame and door edge as this will affect the door's operation
- 5.Ensure access panel doors are removed prior to installation of the frame Secure & the door in place with the hook and cable after installation

CUSTOMISED SIZES CAN BE MADE ON REQUEST WITH A LEAD TIME

Round Access Panel



Round Access Panels

Characteristics: Non-fire rated Round aluminum access panel frames are electrostatic powder coated white, with MR Grade Gypsum board facing, Providing easy access to gypsum ceilings. Each panel features a push-catch closing mechanism, with door retaining safety cable and hook. Applications Suitable for applications where access to services above gypsum ceiling are specified.

NO	SIZE	CODE
1	300 MM DIA	RFAP300PCMR
2	450 MM DIA	RFAP450PCMR
3	600MM DIA	RFAP600PCMR

Installation:(guide present with every package)

- 1.Remove the door from the frame, Draw around the access panel inner rim where the aperture is required ,Install the frame in to the aperture.
- 2.Fix securely using 25mm Good quality Drywall, Screws and refit the door to check operation and then remove to allow for finishing.
- 3.Finish with Gypsum Tapes and Gypsum Jointing ,Compound around the fitted frame, Refit door once decorated.
- 4.Ensure all jointing material has been removed from the frame and door edge as this will affect the door's operation
- 5.Ensure access panel doors are removed prior to installation of the frame Secure & the door in place with the hook and cable after installation

Metal Access Panel



Metal Access Panels

Characteristics: Non-fire rated Metal access panel frames are electrostatic powder coated white, with GI sheet bent to size with electrostatic powder coating, Providing easy access to gypsum ceilings. Each panel features a push-catch closing mechanism/ I&key. Applications Suitable for applications where access to services above gypsum ceiling are specified.

NO	SIZE	CODE
1	300X300	METAP3030PC
2	450X450	METAP4545PC
3	600X600	METAP6060PC
4	600X1200	METAP60120PC

Veneer Finish Access panel



Veneer Finish Access Panels

Characteristics: Non-fire rated Veneer finished aluminum access panel frames are electrostatic powder coated as per veneer shade, with 8 mm MDF/HDF and Veneer as per design, Providing easy access to veneered ceilings. Each panel features a push-catch closing mechanism, with door retaining safety cable and hook. Applications Suitable for applications where access to services above veneer ceilings are specified.

NO	SIZE	CODE
1	200X200	RFAP2020PCVF
2	300X300	RFAP3030PCVF
3	450X450	RFAP4545PCVF
4	600X 600	RFAP6060PCVF
5	600X900	RFAP6090PCVF
6	600X1200	RFAP60120PCVF

CUSTOMISED SIZES CAN BE MADE ON REQUEST WITH A LEAD TIME

Laminated Access Panel



Laminated Access Panels

Characteristics: Non-fire rated LAMINATED aluminum access panel frames are electrostatic powder coated as per laminate matching shade, with 11mm MDF , LAMINATE facing, Providing easy access to gypsum ceilings. Each panel features a push-catch closing mechanism/ L&KEY , with door retaining safety cable and hook. Applications Suitable for applications where access to services above gypsum ceiling are specified.

NO	SIZE	CODE
1	200X200	RFAP2020PCLF
2	300X300	RFAP3030PCLF
3	450X450	RFAP4545PCLF
4	600X600	RFAP6060PCLF
5	600X900	RFAP6090PCLF

CUSTOMISED SIZES CAN BE MADE ON REQUEST WITH A LEAD TIME

Large-Format Access Panel

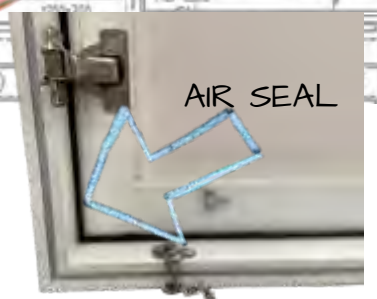
STRONG HANGING
BRACKETS



L&K LOCKING



AIR SEAL



Large format Access Panels

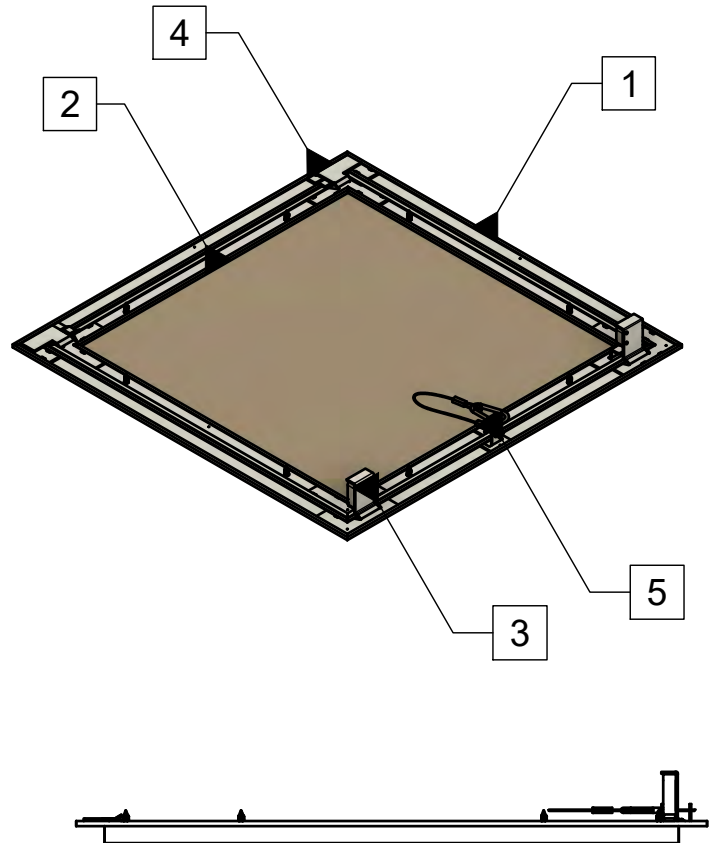
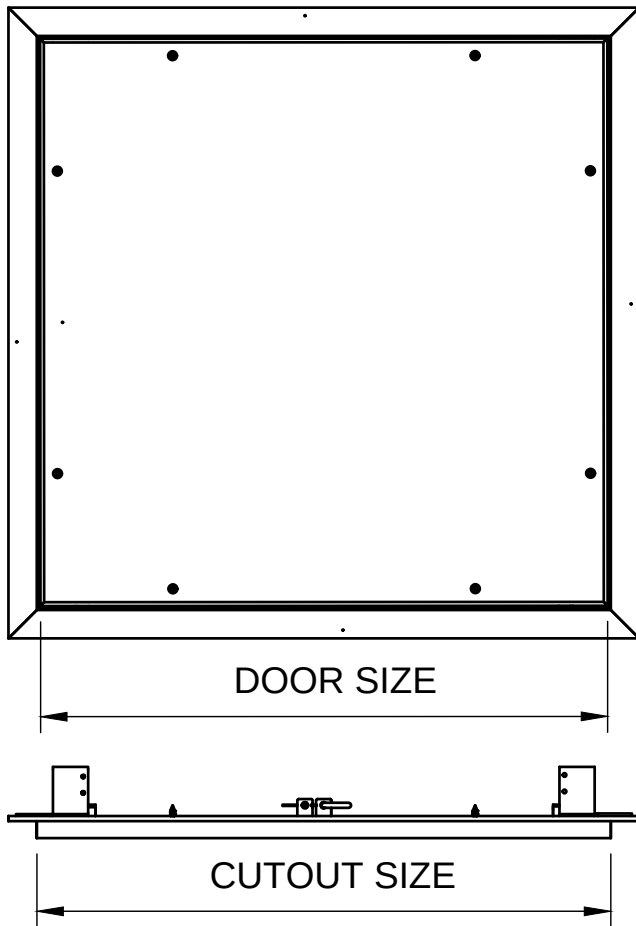
Characteristics: As the name suggest the Large format access panels are best suitable for specific use of large opening requirement when Air handling unit is larger in size . the sizes can be customised as per requirement, and also the finishes, easy to install on true slabs using anchor fastener and threaded rods . Giving flexibility to levelling and location

These Access panels have option for Air seal which is best suitable option when access to AHU needed when they are placed in Toilets to avoid mixing of foul air .

NO	SIZE	CODE
1	1200x2100	LFAP120210PCMR
2	1200 2400	LFAP120240PCMR
3	1500x2100	LFAP150210PCMR
4	1500x2400	LFAP150240PCMR
5	1600x2100	LFAP160210PCMR
6	1600x2400	LFAP160240PCMR

CUSTOMISED SIZES CAN BE MADE ON REQUEST WITH A LEAD TIME

RFAP / TECHNICAL DATA SHEET



Bill of Material		
Part number	Part Name	QUANTITY
1	INNER FRAME	1
2	OUTER FRAME	1
3	PUSH LATCH	2
4	SAFETY LATCH	1
5	FREE PIVOTING HINGE	2

PRODUCT	DOOR SIZE	CUTOUT SIZE
RFAP2525PCMR	250	256
RFAP3030PCMR	300	306
RFAP4545PCMR	450	456
RFAP6060PCMR	600	606

MATERIAL DATASHHET

SR.NO	COMPONENTS	MATERIAL/GRADE
1.	Metal frames	Aluminium Alloy 6063, Temper 6
2.	Corner components	1mm GI (galvanized coating 90microns)
3.	Inlay	Moistbloc Plasterboard (Gypsum)
4.	Screws	25 X 6mm Black Phosphate steel.
5.	Safety latch wire rope	1.5mm Steel wire rope (PVC coated)
6.	Powder coating	GStyleE08T RAL 9016 SMO

Characteristics

Non-fire rated standard aluminium access panel frames are electrostatic powder coated white, with MR Grade Gypsum board facing, Providing easy access to gypsum ceilings. Each panel features a push-catch closing mechanism, with door retaining safety cable and hook.

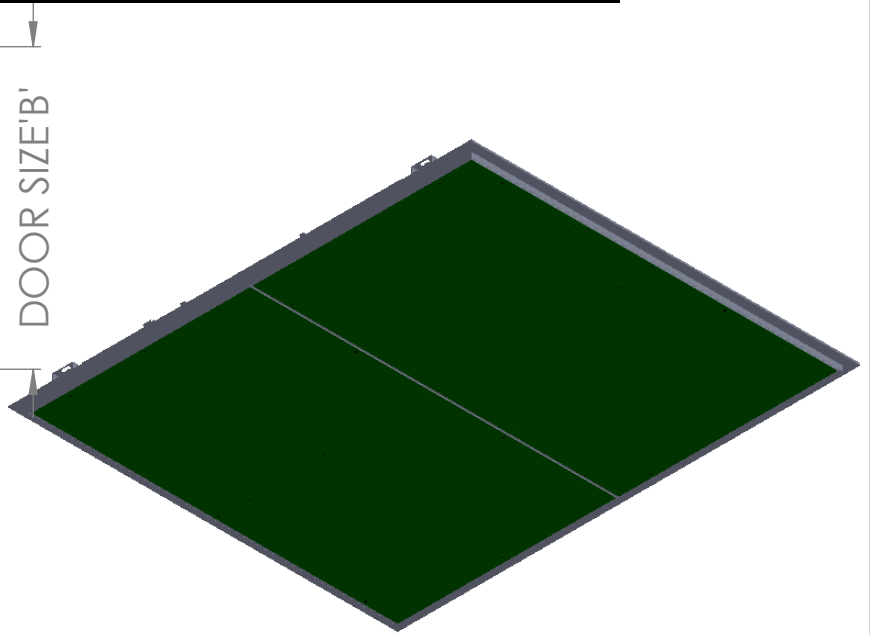
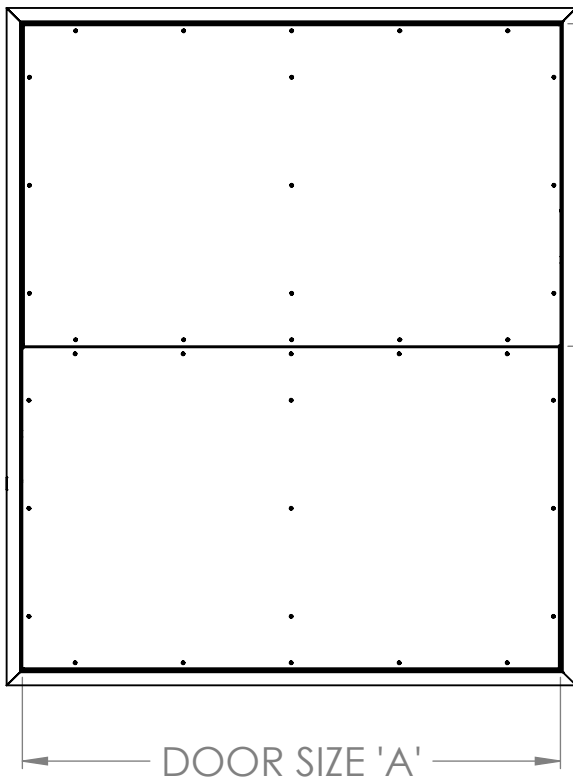
Applications

Suitable for applications where access to services above gypsum ceiling are specified.

Features

- **Frame** - Recessed Aluminium Extrusions with finishing edges.
- **Door Inlays** - MR Gypsum board (Standard), Regular Gypsum board (Optional), Wpc board (Optional), Hilux board (Optional).
- **Locking Mechanism** - Concealed push latch (Standard), Allen Key lock (Optional), Keyed lock (Optional)
- **Hinge** - Free Pivoting Hinge
- **Sealing** - Weather Strip (Grey, Air & Smoke tight)
- **Safety cables** - Snap hook with eyelid and strong wire rope.

MFAP / TECHNICAL DATA SHEET



Part number	Part Name	QUANTITY
1	INNER FRAME	2
2	OUTER FRAME	1
3	PIVOT HINGE	4
4	ALLEN KEY LOCK	4
5	SAFETY LATCH	4

Material data sheet.		
SR.NO	COMPONENTS	MATERIAL/GRADE
1.	Metal frames	Aluminium Alloy 6063, Temper 6
2.	Corner components	2mm GI (galvanized coating 90 microns).
3.	Inlay	Moistbloc Plasterboard (Gypsum)
4.	Screws	25 X 6mm Black Phosphate steel.
5.	Safety latch cables	1.5mm steel wire rope (pvc coated)
6.	Powder coating	GStyleE08T RAL 9016 SMO
7.	PIVOT HINGE	Pivot spring mechanism for locking and pivoting application

Characteristics - Non-fire rated standard aluminium access panel frames are electrostatic powder coated white, with MR Grade Gypsum board facing, providing easy access to gypsum ceilings. Each panel features an ALLEN KEY closing mechanism, with door retaining safety cable and hook.

Applications - Suitable for applications where access to services above gypsum ceiling are specified.

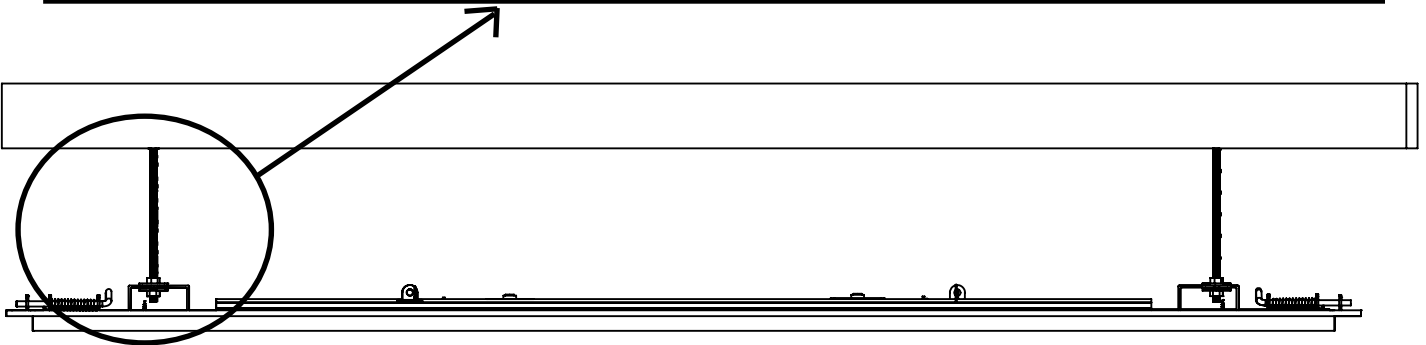
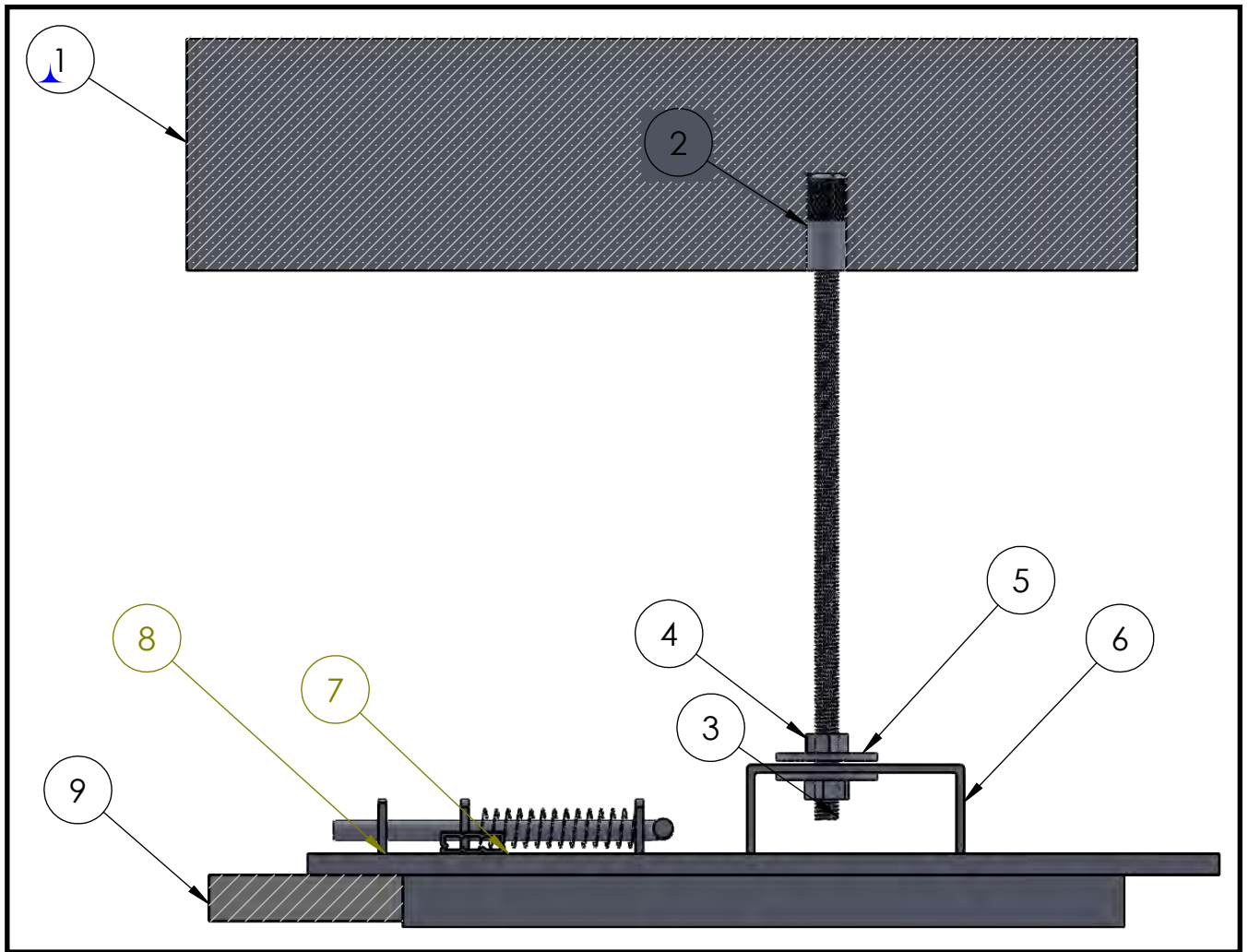
Features

- **Frame** - Recessed Aluminium Extrusions with finishing edges.
 - Outer frame profile - 19X24X2(HXWXT) L profile.
 - Inner frame profile - 19x24x3(HXWXT) L profile.
- **Door Inlays** - MR Gypsum board (Standard), Regular Gypsum board (Optional), Wpc board (Optional), Hiluxboard (Optional).
- **Locking Mechanism** - Allen Key lock (Standard).
- **Hinge** - Pivot Hinge (Standard)
- **Sealing** - Weather Strip [dust tight] (Standard), Air seal, [Air & Somke tight] (Optional).
- **Safety latch** - Snap hook with eyelit and strong wire rope.

PRODUCT CODE	DOOR SIZE 'A'	DOOR SIZE 'B'	CUTOUT SIZE 'A'	CUTOUT SIZE 'B'
MFAPDDMRLK1200X900	896	597	1204	904
MFAPDDMRLK1200X1200	1196	597	1204	1204
MFAPDDMRLK1500X1000	996	747	1504	1004
MFAPDDMRLK1800X1200	1196	897	1804	1204

'CUSTOMIZED SIZES AVAILABLE'

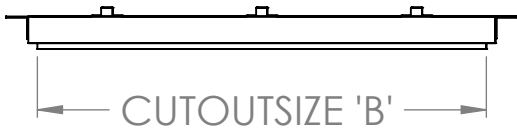
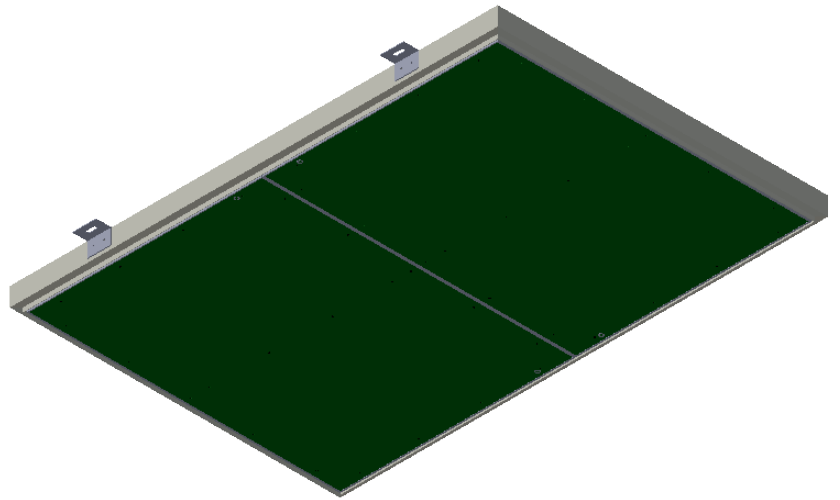
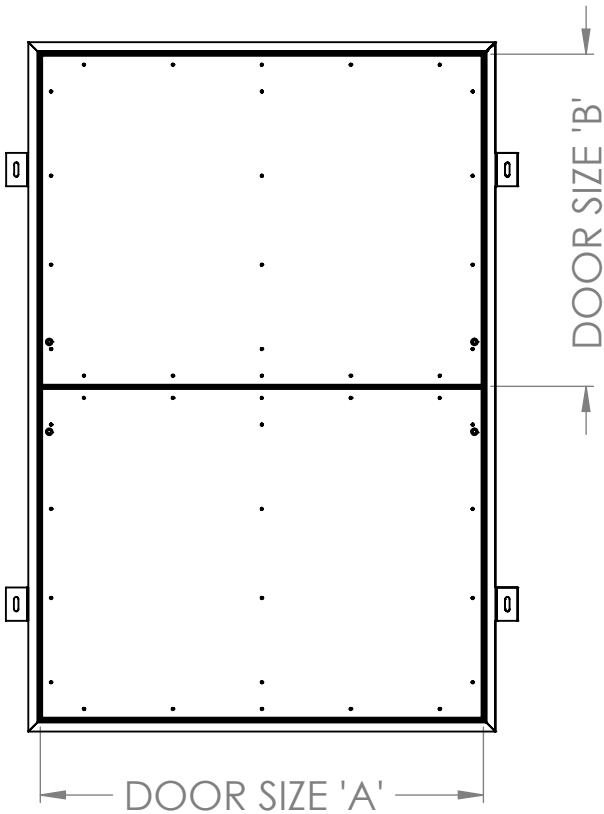
MFAP / TECHNICAL DATA SHEET



SR.NO	COMPONENT	DESCRIPTION	QUANTITY
1	RCC SLAB	EXISTING CEILING COMPONENT	-
2	BULLET FASTNER	6mm -1inch - MS fastner*	4
3	THREADED ROD	M6 threading*	4
4	FASTENING NUT	M6 nut*	8
5	WASHER	M6 wahser*	8
6	HANGING COMPONENT	OUTER FRAME COMPONENT	4
7	INNER FRAME PROFILE	19X24X3(HXWXL)- L TYPE PROFILE	1
8	OUTER FRAME PROFILE	19X24X2(HXWXL)- L TYPE PROFILE	1
9	GYPSUM BOARD	EXISTING CEILING COMPONENT	-

'*'COMPONENTS HAS TO BE PROCURED BY CUSTOMER.

LFAP / TECHNICAL DATA SHEET



Part number	Part Name	QUANTITY
1	INNER FRAME	2
2	OUTER FRAME	1
3	AUTO HINGES	6
4	ALLEN KEY LOCK	4
5	SAFETY CHAIN	4

Material data sheet.

SR.NO	COMPONENTS	MATERIAL/GRADE
1.	Metal frames	Aluminium Alloy 6063, Temper 6
2.	Corner components	GI heavy gauge connector
3.	Inlay	Moistbloc Plasterboard (Gypsum)
4.	Screws	25 X 6mm Black Phosphate steel.
5.	Safety chain	Medium duty steel chain
6.	Powder coating	GStyleE08T RAL 9016 SMO
7.	Auto hinge	Heavy duty soft close auto hinge (16 degree crank)

Characteristics - Non-fire rated standard aluminium access panel frames are electrostatic powder coated white, with MR Grade Gypsum board facing, Providing easy access to gypsum ceilings. Each panel features a push-catch closing mechanism, with door retaining safety cable and hook.

Applications - Suitable for applications where access to services above gypsum ceiling are specified.

Features

- **Frame** - Recessed Aluminium Extrusions with finishing edges.
- **Door Inlays** - MR Gypsum board (Standard), Regular Gypsum board (Optional), Wpc board (Optional), Hiluxboard (Optional).
- **Locking Mechanism** - Allen Key lock (Standard).
- **Hinge** - Soft close Auto Hinge
- **Sealing** - Weather Strip (Grey, Air & Smoke tight)
- **Safety chain** - Medium duty Steel chains.

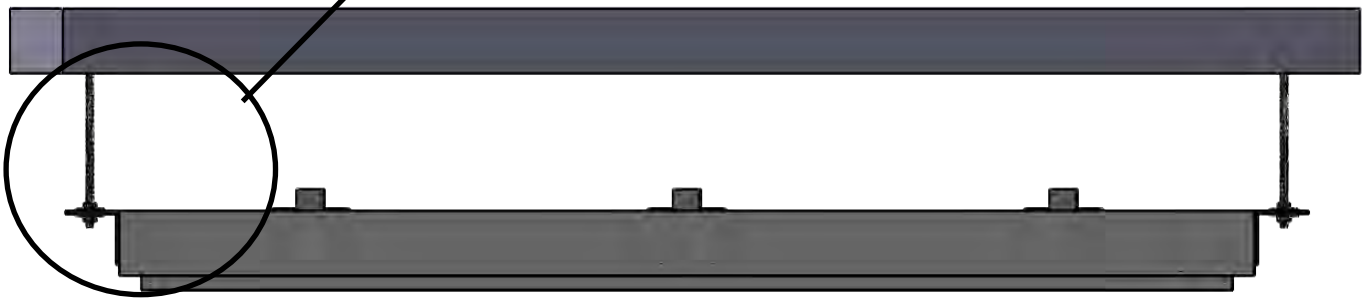
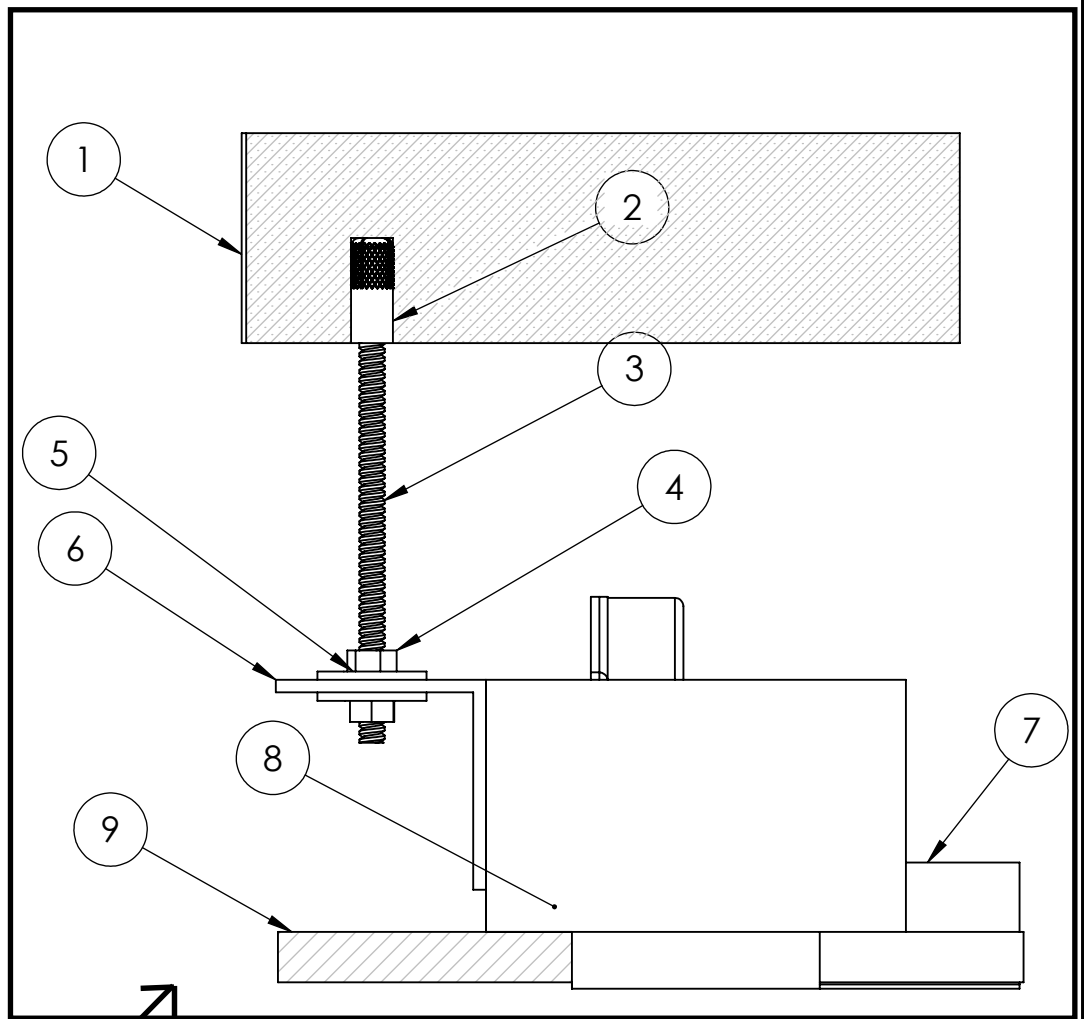
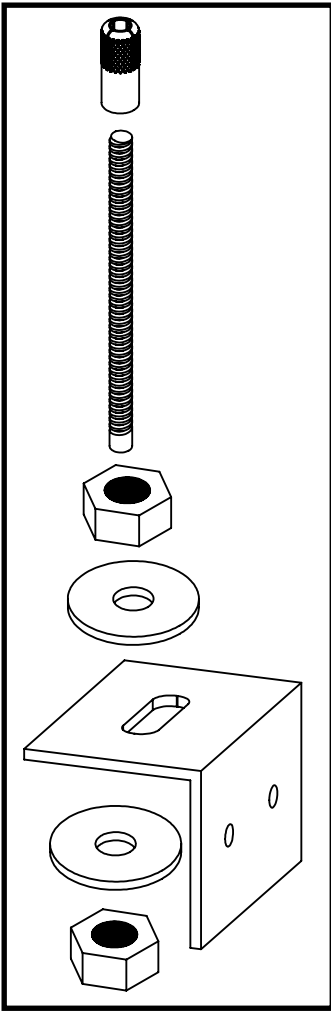
PRODUCT CODE	DOOR SIZE 'A'	DOOR SIZE 'B'	CUTOUT SIZE 'A'	CUTOUT SIZE 'B'
LFAPDDMRLK1800X1200	897	1196	1809	1209
LFAPDDMRLK1800X1500	897	1496	1809	1509
LFAPDDMRLK2000X1150	997	1146	2009	1159
LFAPDDMRLK2400X1800	1197	1796	2409	1809

"CUSTOMIZED SIZES AVAILABLE"



silutek[®]
www.silutek.com

LFAP / TECHNICAL DATA SHEET



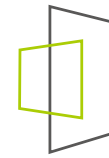
SR.NO	COMPONENT	DESCRIPTION	QUANTITY
1	RCC SLAB	EXISTING CEILING COMPONENT	-
2	BULLET FASTNER	6mm -1inch - MS fastner	4
3	THREADED ROD	M6 threading	4
4	FASTENING NUT	M6 nut	8
5	WASHER	M6 wahser	8
6	HANGING COMPONENT	OUTER FRAME COMPONENT	4
7	INNER FRAME PROFILE	50X30X16.5X4(HXWXT1XT2)- L TYPE PROFILE	1
8	OUTER FRAME PROFILE	73.5X25X60X4.5(HXWXT1XT2)- L TYPE PROFILE	1
9	GYPSUM BOARD	EXISTING CEILING COMPONENT	-



silutek[®]
www.silutek.com

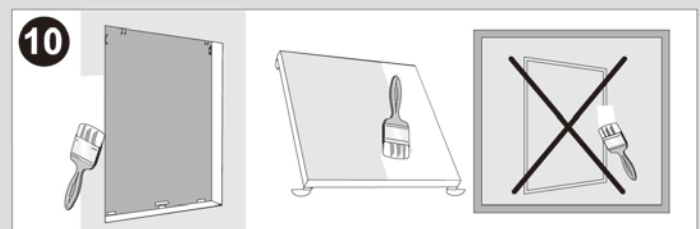
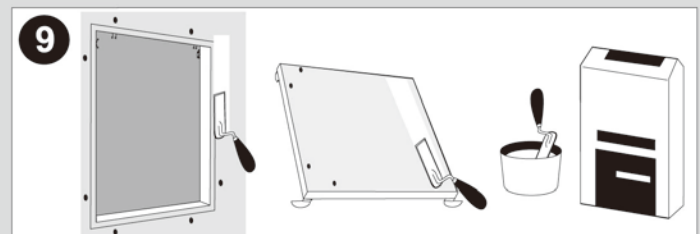
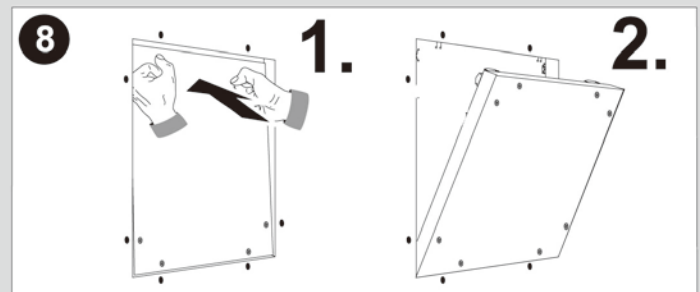
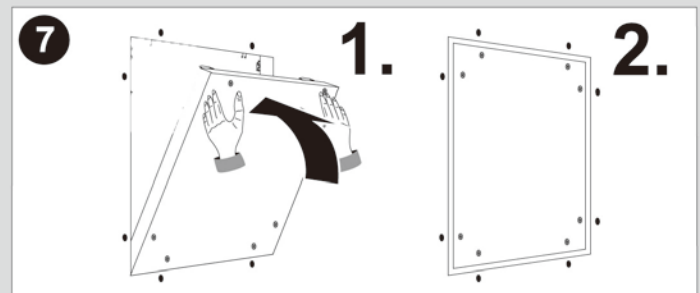
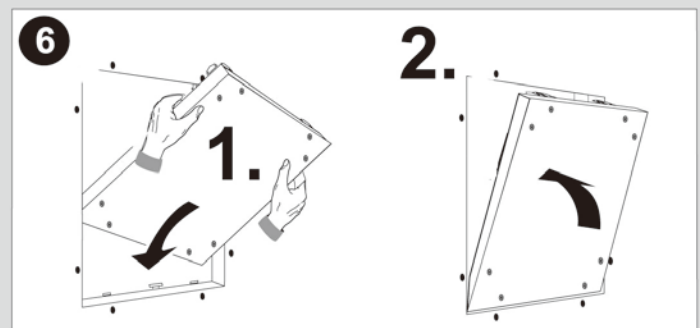
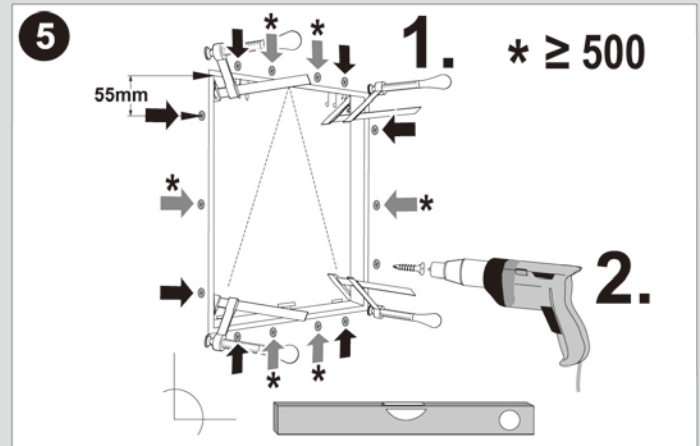
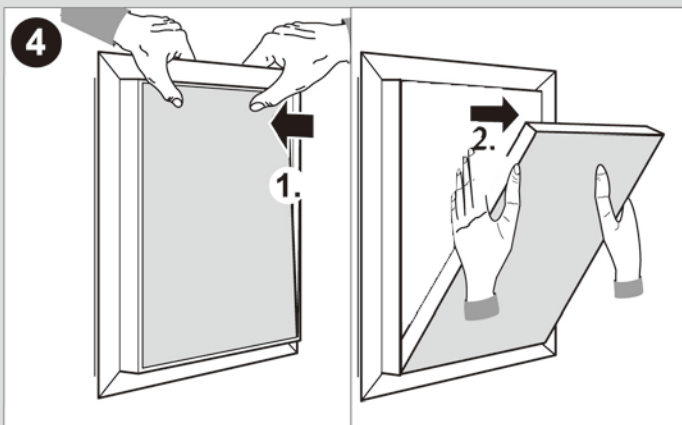
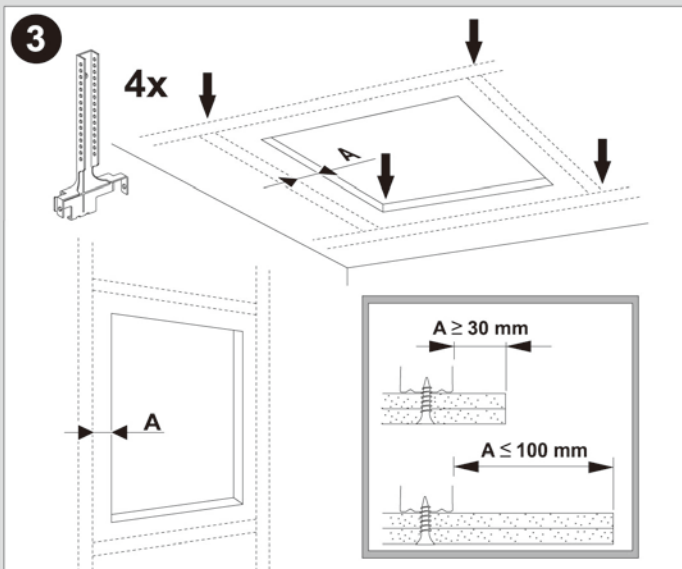
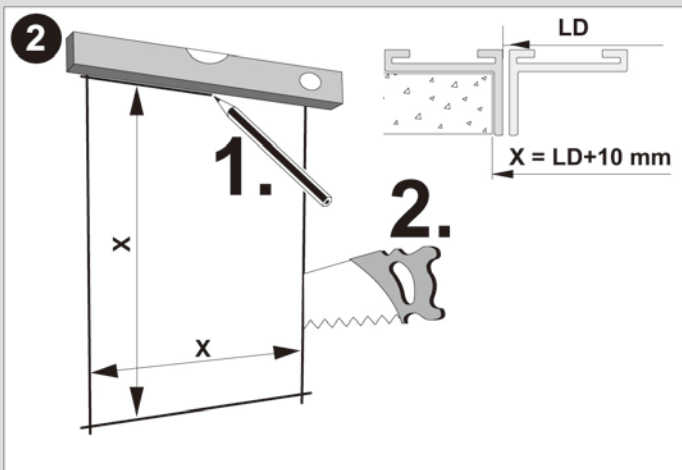
Assembly instruction

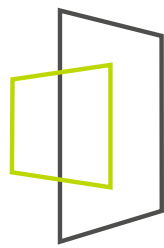
access panel - mounting in wall & ceiling



silutek[®]

www.silutek.com





silutek[®]
www.silutek.com